

PYRAMID

INTER PRO

SPECIFICATIONS



PW886-X

PW1086-X

PW1286-X

PW1586-X

PW1096-X

PW1296-X

About Pyramid Hyper Pro Series Woofer

Congratulations! You have purchased one of our high quality Pyramid woofer. Pyramid Hyper Pro Series Woofer is the latest series, which has been designed and manufactured for consistent and high performance.

General Features of Hyper Pro Series Woofers Include:

- New Pattern Strong Black Paper Cone
- Wide Heavy Foam Surround
- Rigid Powder Coated Stamped Steel Basket
- Bumped & Vented Pole Piece
- With Rubber Gasket & Rubber Magnet Boot
- Large Kapton Voice Coils
- 4 Ohm Impedence

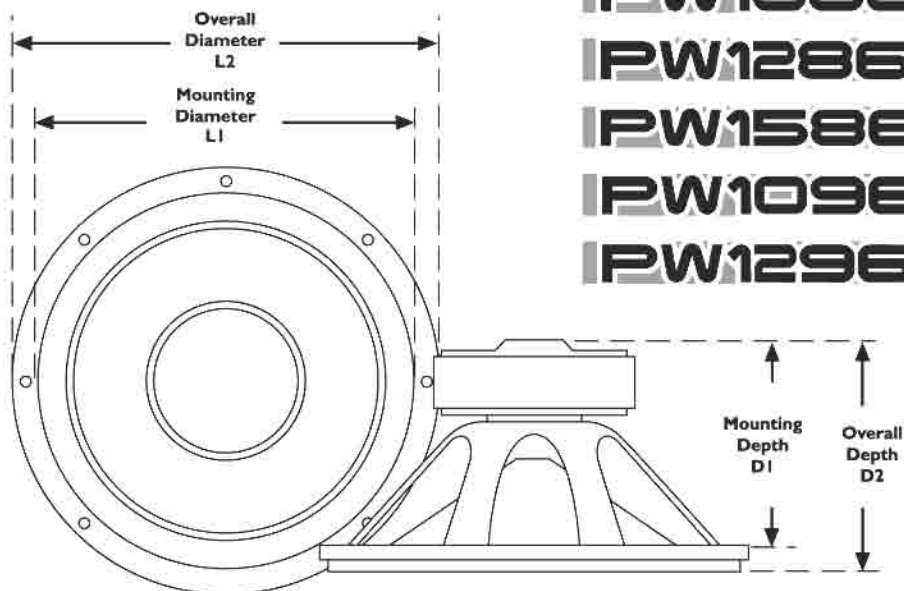
We do confident that Hyper Pro Series Woofer will bring you many hours of enjoyment over the years.

About This Booklet

In this booklet, you could find the SPECIFICATIONS and TEMPLATE of the woofer. With this information, you could achieve the best performance of woofer conveniently.

Below is the meaning of the rating abbreviations.

- Fs : "Free Air Resonance", this value is the lowest audible frequency (in Hz) of the woofer.
- Q : This value describes the degree of control ("damping") which the speaker exhibits. Speaker damping is due to both MECHANICAL characteristics (Q_{ms}) and ELECTRICAL characteristics (Q_{es}). A speaker's TOTAL DAMPLING VALUE is referring as Q_{ts} .
- SPL : This value means the sensitivity of the speaker.
- Xmax : The overall distance (in millimeters) the cone and voice coil travel in single excursion is referred to as Xmax.
- VAS : This value describes (in cubic feet) the maximum amount of air which is displaced by the speaker cone in a single excursion.

PW886-X**PW1086-X****PW1286-X****PW1586-X****PW1096-X****PW1296-X**

SPECIFICATIONS

PYRAMID HYPER PRO SERIES - Woofer for small enclosures

Specification	PW886-X (8")	PW1086-X (10")	PW1286-X (12")	PW1586-X (15")	PW1096-X (10")	PW1296-X (12")
Power (Watts Peak)	500	700	1000	1200	1000	1200
Nom. Impedance (Ohm)	4	4	4	4	4	4
SPL (dB)	87.4	86.4	86.1	89.5	88.4	88.4
Fs (Hz)	57.9	40.0	25.1	31.9	34.9	33.5
Qts	0.59	0.65	0.51	0.53	0.35	0.48
Vas (cuft)	0.4485	1.3101	3.3193	3.7960	1.4301	2.2882
Voice Coil Diameter	1.5" KSV	2" KSV	2" KSV	2.5" KSV	2" KSV	2" KSV
Voice Coil Layer	4	4	4	4	4	4
Magnet Structure (Oz)	65	90	90	110	60 + 60	60 + 60
Mounting Depth, D1	3.86"	4.57"	5.16"	6.14"	5.35"	5.95"
Overall Depth, D2	4.33"	5.16"	5.83"	6.81"	5.95"	6.61"
Mounting Diameter, L1	7.17"	9.06"	11.02"	13.98"	9.06"	11.02"
Overall Diameter, L2	8.54"	10.67"	12.52"	15.47"	10.67"	12.52"

PYRAMID HYPER PRO SERIES continually strives to improve the performance and value of its products - all specifications are subject to change.

MANUFACTURER'S LIMITED TWO YEAR WARRANTY

PYRAMID SOUND CORP. warrants this unit to be free from defective material or workmanship and will repair or replace this unit or any part thereof if it proves defective in normal use or service within two (2) years from the date of original purchase.

Our obligation under this warranty is limited to the repairing or replacing, at our discretion, the defective instrument or any part thereof when it is returned, transportation prepaid to the Pyramid Service Center at the address below. This warranty will be considered void if the unit has been tampered with, improperly serviced, subjected to abuse or misuse or if installed in a commercial vehicle. This warranty does not cover accidental damage. When returning this unit for service, please include \$10.00 for return postage and handling. Send your unit to:

PYRAMID SERVICE CENTRE

1600-63rd Street

Brooklyn, New York 11204 USA

IMPORTANT:

Pack carefully in original carton if possible. We are not responsible for damage incurred in returning items for repair. A letter stating your exact street address, daytime phone number and the problem you are experiencing should be included. You must also enclose a copy of the original receipt as proof of date of purchase.

Register Online@www.pyramidcaraudio.com